

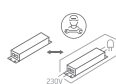
INSTALLATION MANUAL

10105FD

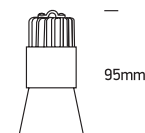
ecodownlight



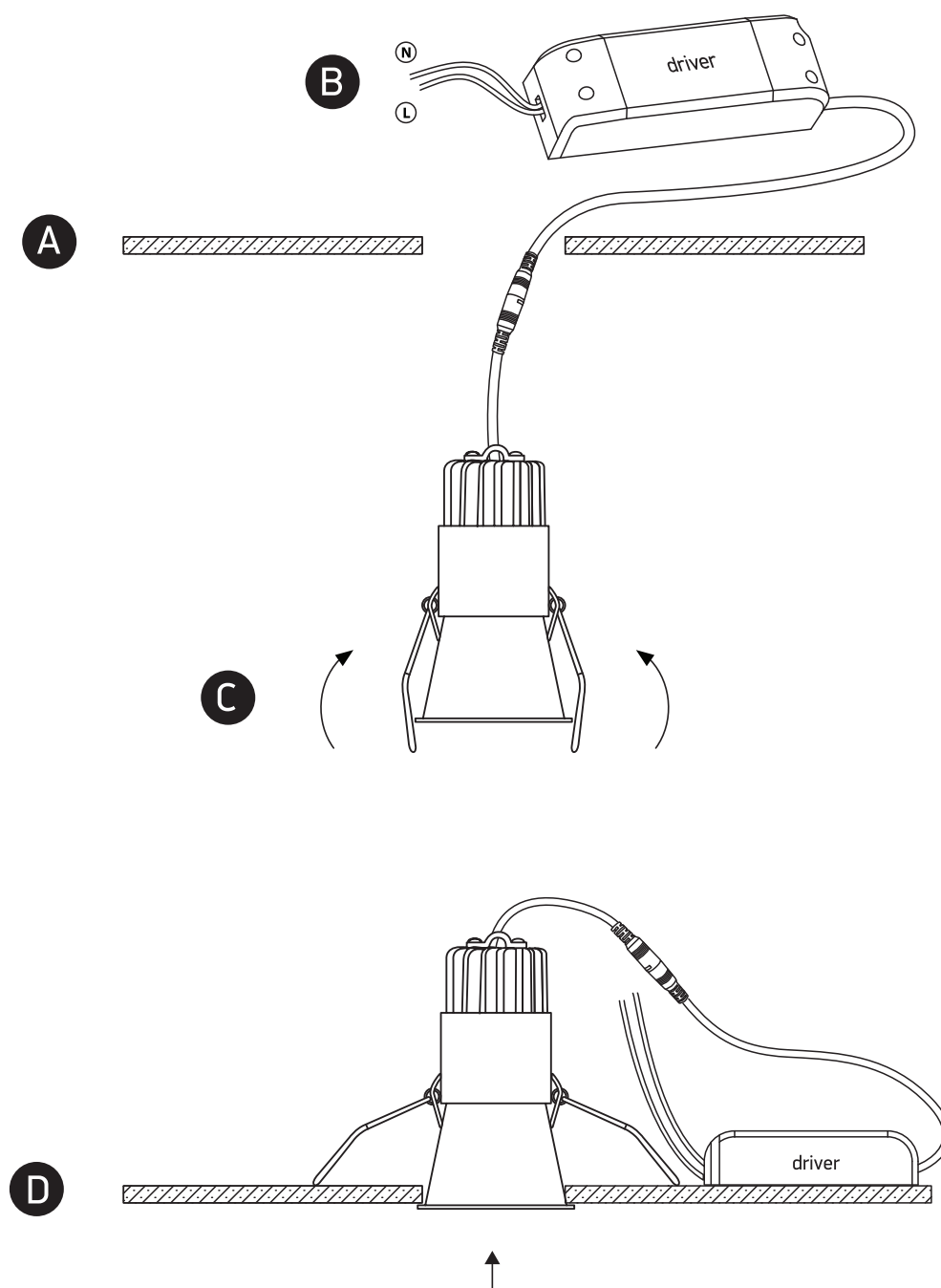
230V | COB LED | 5W | IP20 | Aluminium
Complete with 300mA driver.



80
CRI



one
LIGHT



Warnings:

1. Make sure that the product is installed properly before connecting to electricity.
2. Do not cover the fitting.
3. Maintenance and installation should only be carried out by a professional electrician.

INSTALLATION MANUAL

10110FD

LED
BUILT IN



DARK
LIGHT

CE EAC UK

CA

RoHS
COMPLIANT

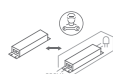


NOT
DIMMABLE



75mm

230V | COB LED | 10W | IP20 | Aluminium
Complete with 300mA driver.

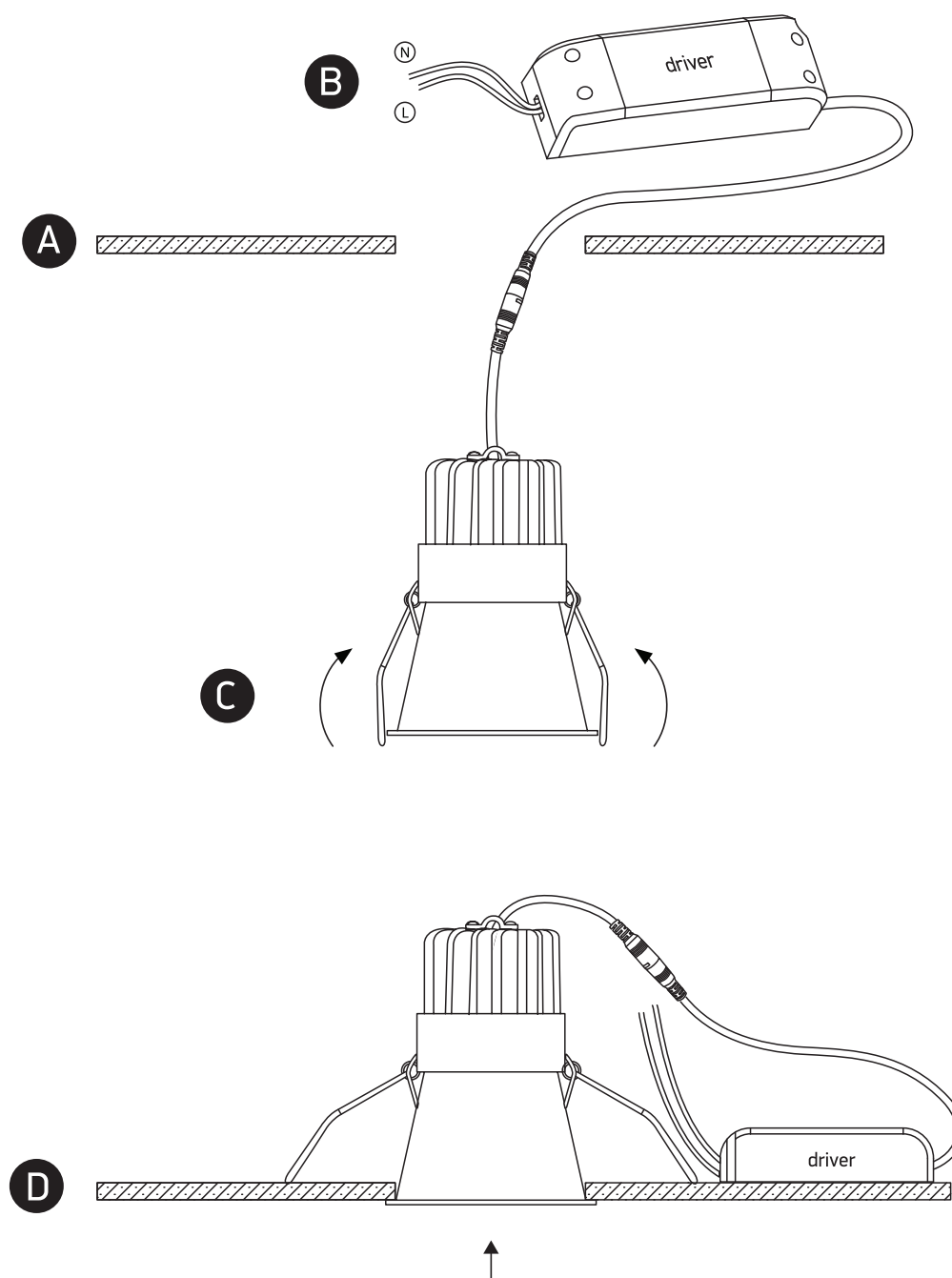


90
CRI



100mm

one
LIGHT



Warnings:

1. Make sure that the product is installed properly before connecting to electricity.
2. Do not cover the fitting.
3. Maintenance and installation should only be carried out by a professional electrician.

INSTALLATION MANUAL

10115FD

LED
BUILT IN



DARK
LIGHT

CE EAC UK
CA

RoHS
COMPLIANT

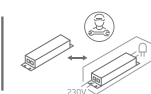


NOT
DIMMABLE



92mm

230V | COB LED | 15W | IP20 | Aluminium
Complete with 350mA driver.



90
CRI

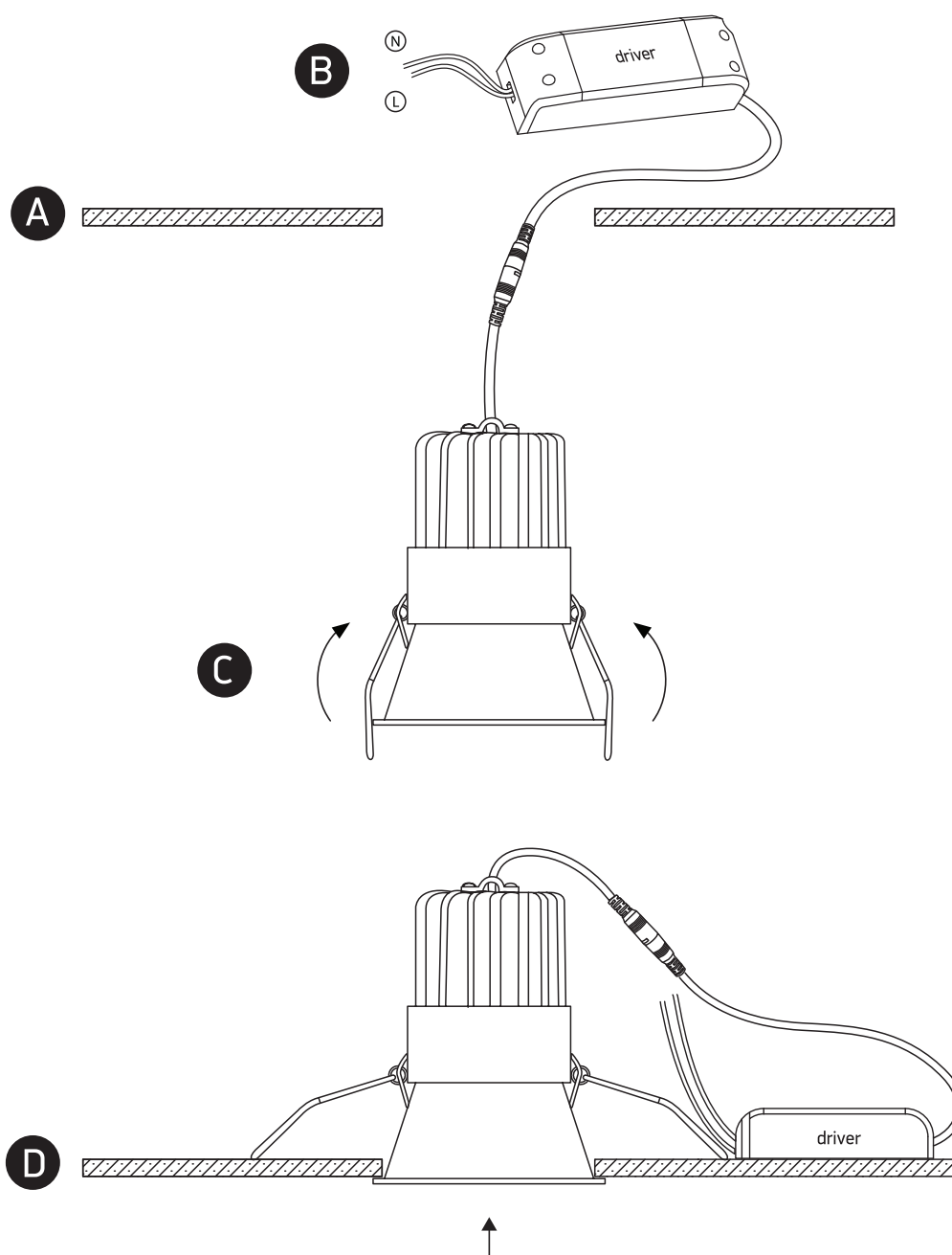


82mm
150mm



120mm

one
LIGHT



Warnings:

1. Make sure that the product is installed properly before connecting to electricity.
2. Do not cover the fitting.
3. Maintenance and installation should only be carried out by a professional electrician.