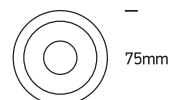


INSTALLATION MANUAL

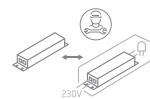
10107Z

ecolight

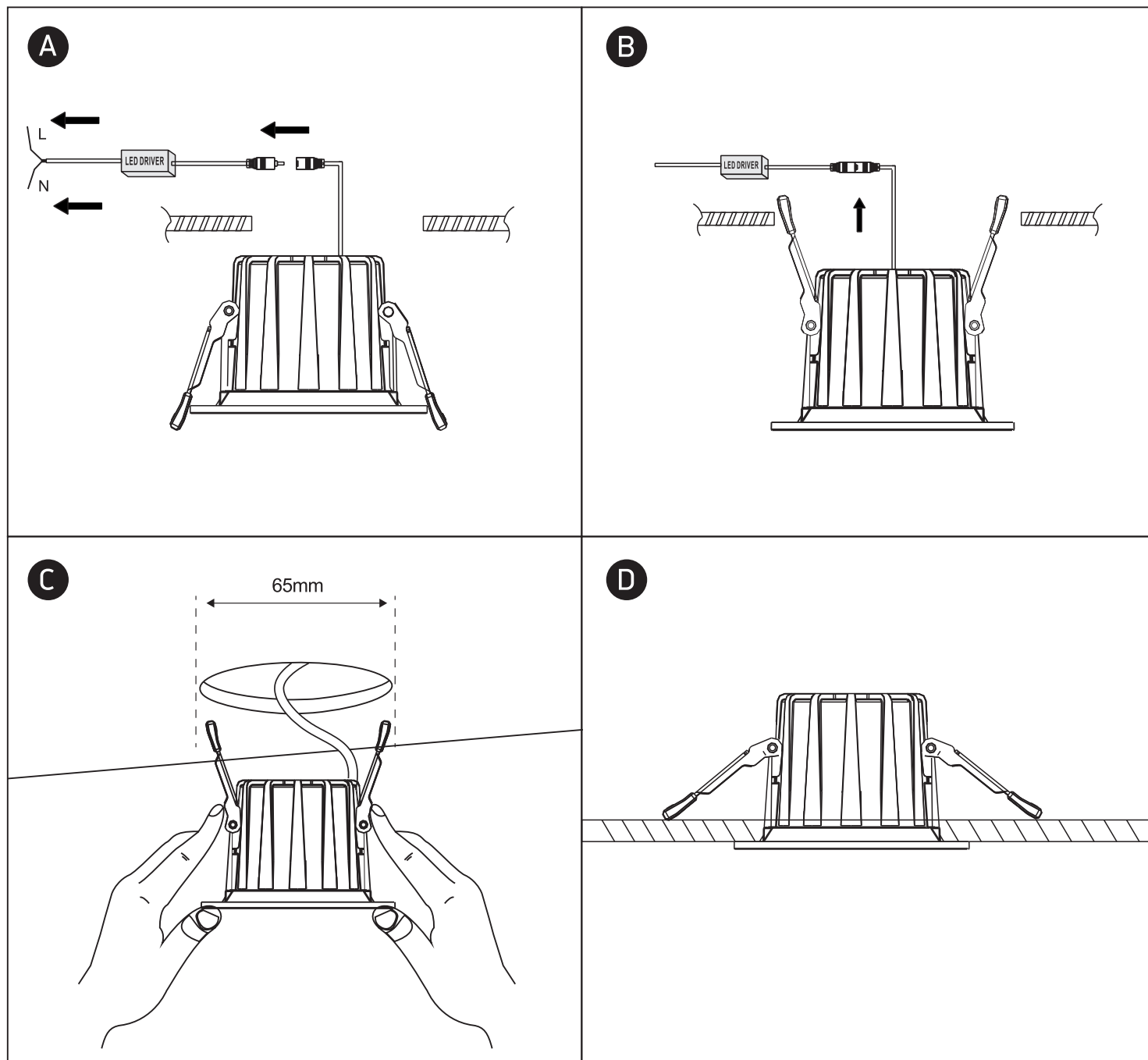


230V | 7W | IP20 | Die cast + plastic reflector
Complete with 160mA driver.

80
CRI



one
LIGHT



Warnings:

1. Make sure that the product is installed properly before connecting to electricity.
2. Do not cover the fitting.
3. Maintenance and installation should only be carried out by a professional electrician.

INSTALLATION MANUAL

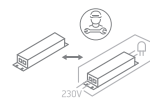
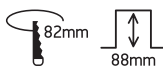
10112Z

ecolight

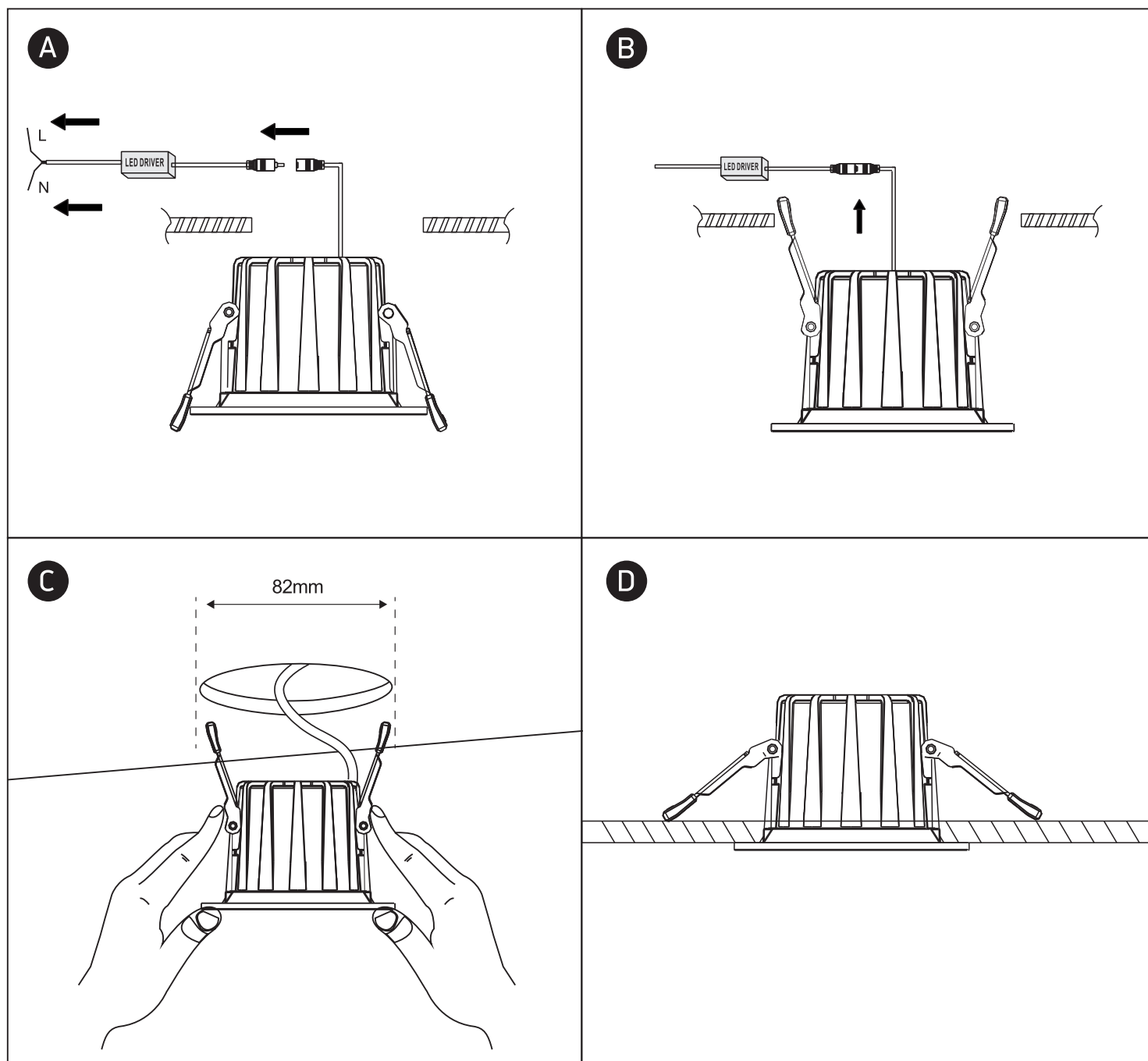


230V | 12W | IP20 | Die cast + plastic reflector
Complete with 300mA driver.

80
CRI



one
LIGHT



Warnings:

1. Make sure that the product is installed properly before connecting to electricity.
2. Do not cover the fitting.
3. Maintenance and installation should only be carried out by a professional electrician.

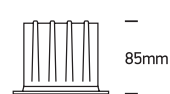
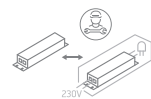
INSTALLATION MANUAL

10120Z

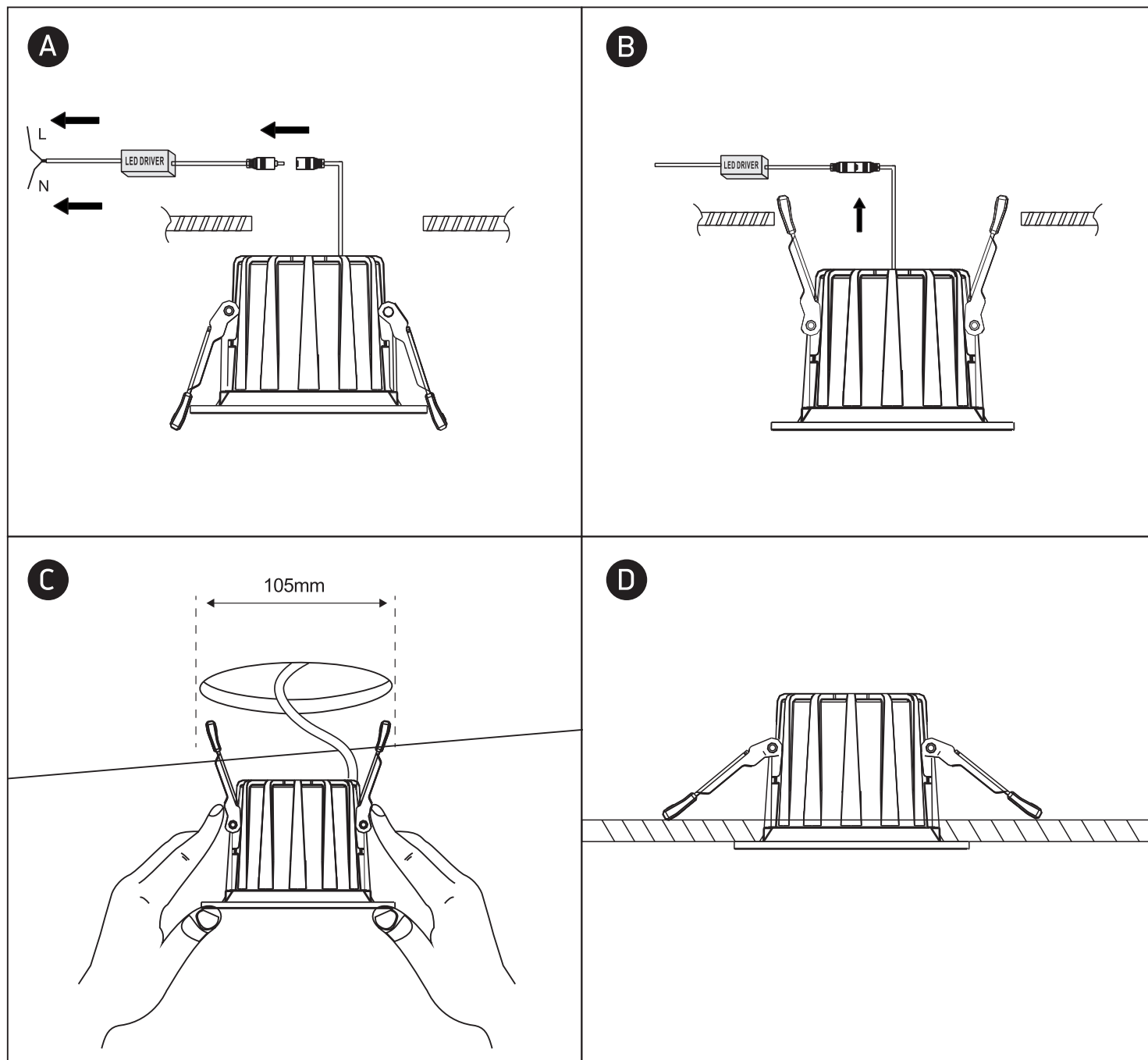
ecolight



230V | 20W | IP20 | Die cast + plastic reflector
Complete with 500mA driver.



one
LIGHT



Warnings:

1. Make sure that the product is installed properly before connecting to electricity.
2. Do not cover the fitting.
3. Maintenance and installation should only be carried out by a professional electrician.