

# INSTALLATION MANUAL

12108FD

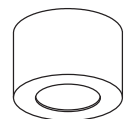
**ecolight**



DARK  
LIGHT



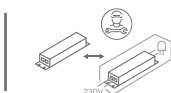
107mm



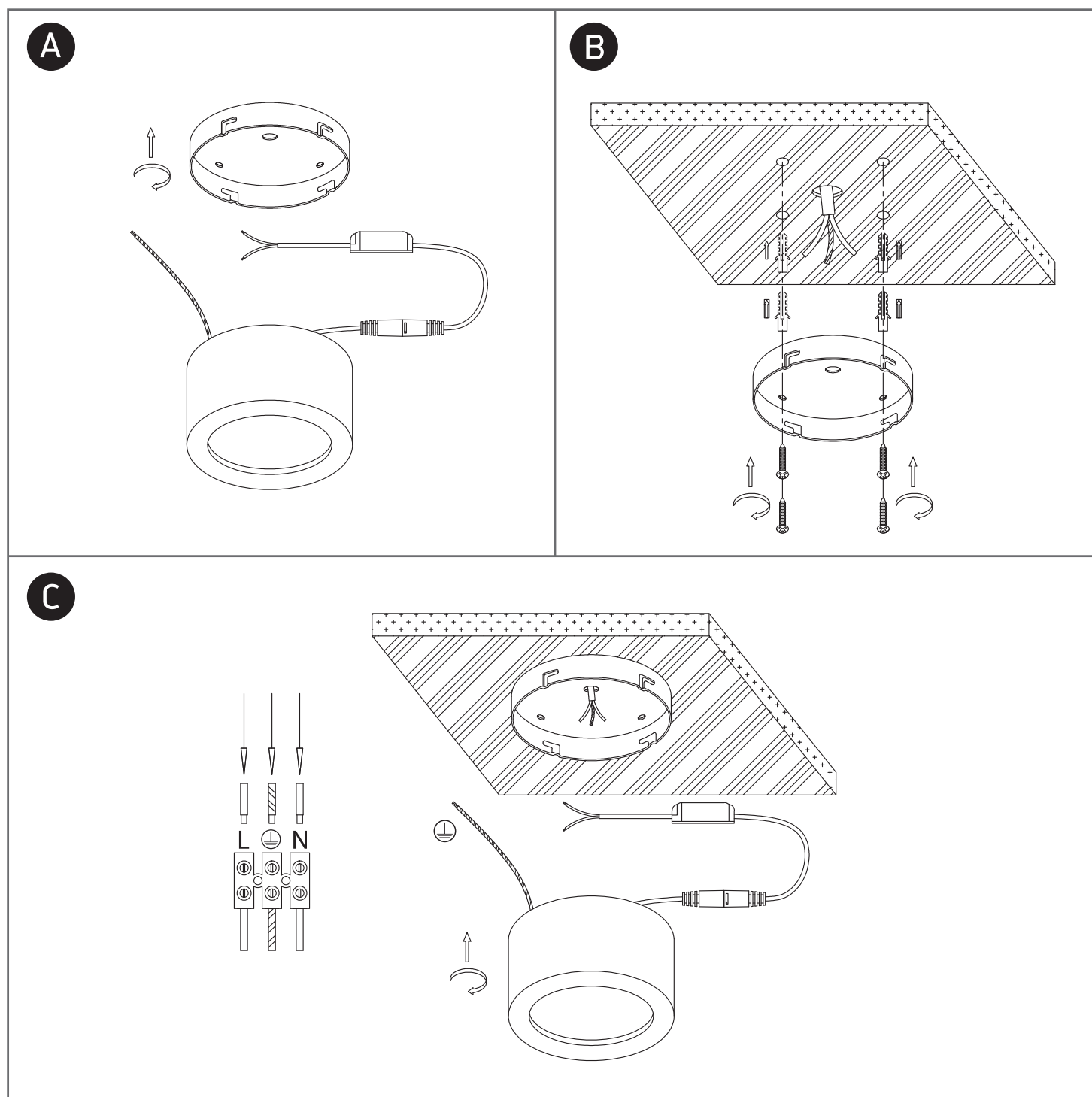
64mm

**one**  
LIGHT

230V | SMD 2835 | 8W | IP20 | Die cast  
Complete with 300mA driver.



80  
CRI



## Warnings:

1. Make sure that the product is installed properly before connecting to electricity.
2. Do not cover the fitting.
3. Maintenance and installation should only be carried out by a professional electrician.

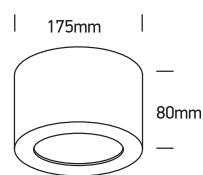
# INSTALLATION MANUAL

12116FD

ecolight



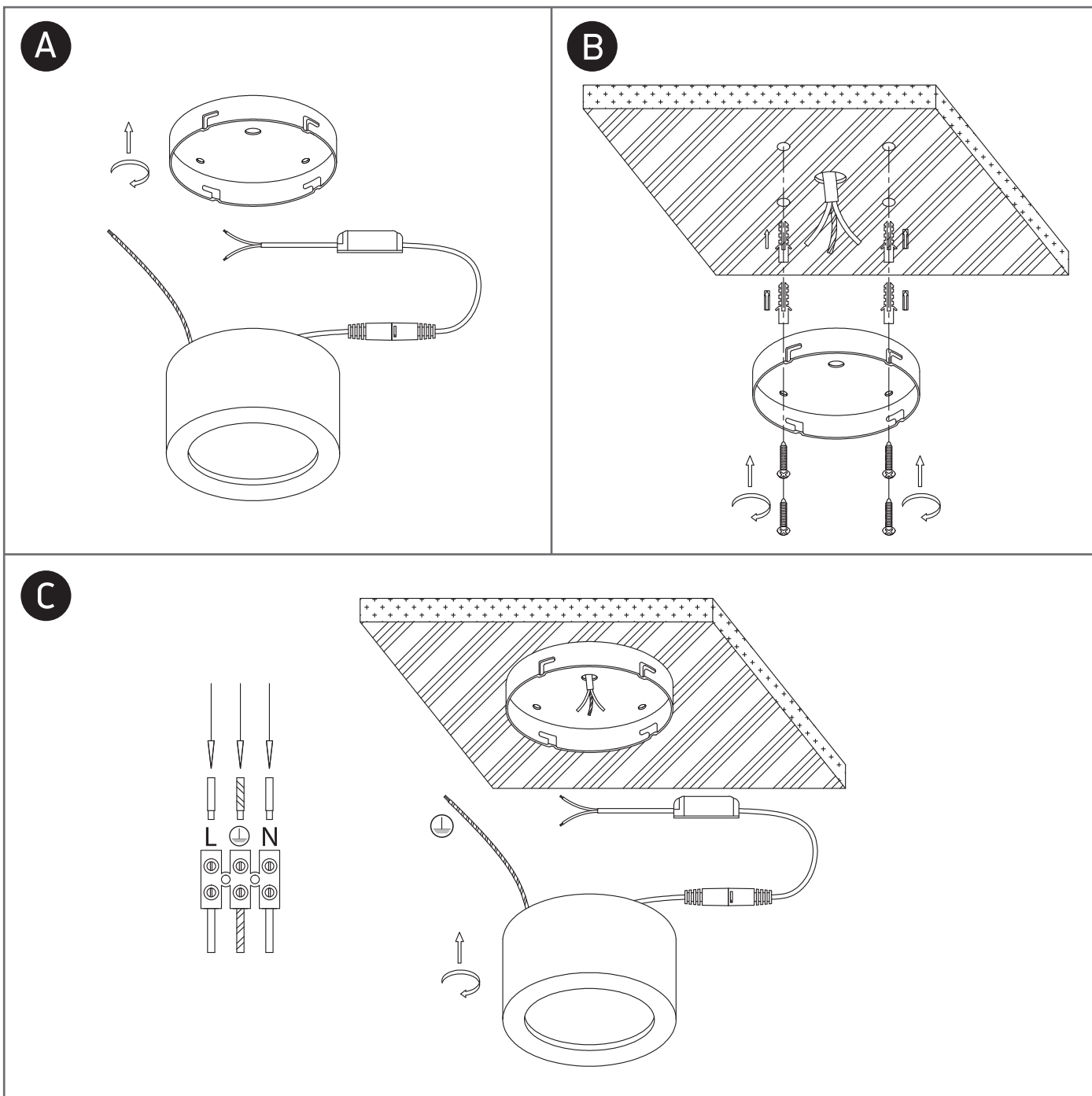
DARK LIGHT



230V | SMD 2835 | 16W | IP20 | Die cast

Complete with driver.

80 CRI



## Warnings:

1. Make sure that the product is installed properly before connecting to electricity.
2. Do not cover the fitting.
3. Maintenance and installation should only be carried out by a professional electrician.