

INSTALLATION MANUAL

12112H

LED
BUILT IN



DARK
LIGHT

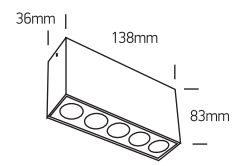
90
CRI

CE ENEC UK
CA

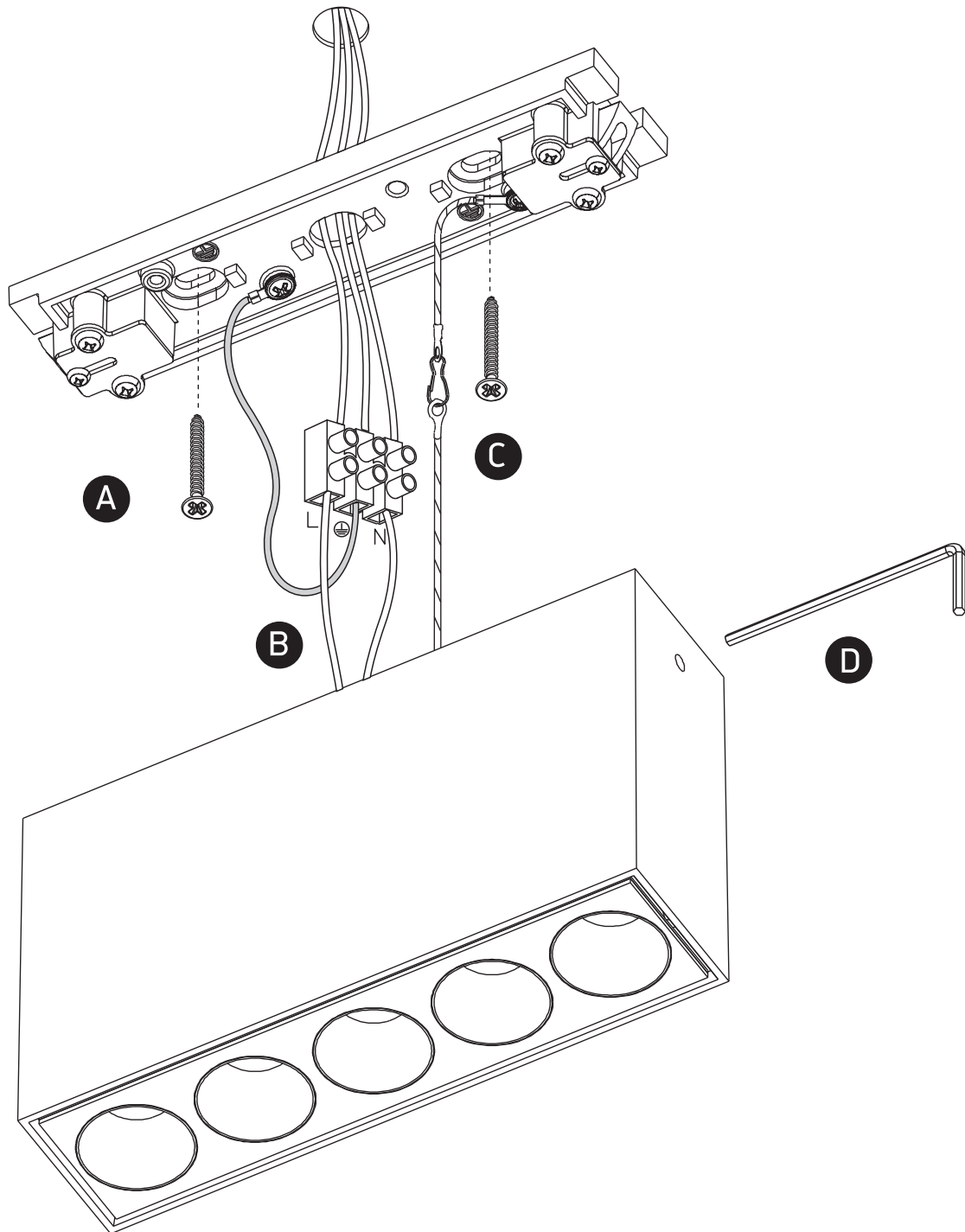
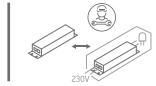
RoHS
COMPLIANT



RECYCLED
DRIVABLE



230V | SMD 3535 | 12W | IP20 | Aluminium
Complete with 700mA driver.



Warnings:

1. Make sure that the product is installed properly before connecting to electricity.
2. Do not cover the fitting.
3. Maintenance and installation should only be carried out by a professional electrician.

INSTALLATION MANUAL

12124H

LED
BUILT IN



DARK
LIGHT

90
CRI

CE

EAC

UK
CA

RoHS
COMPLIANT



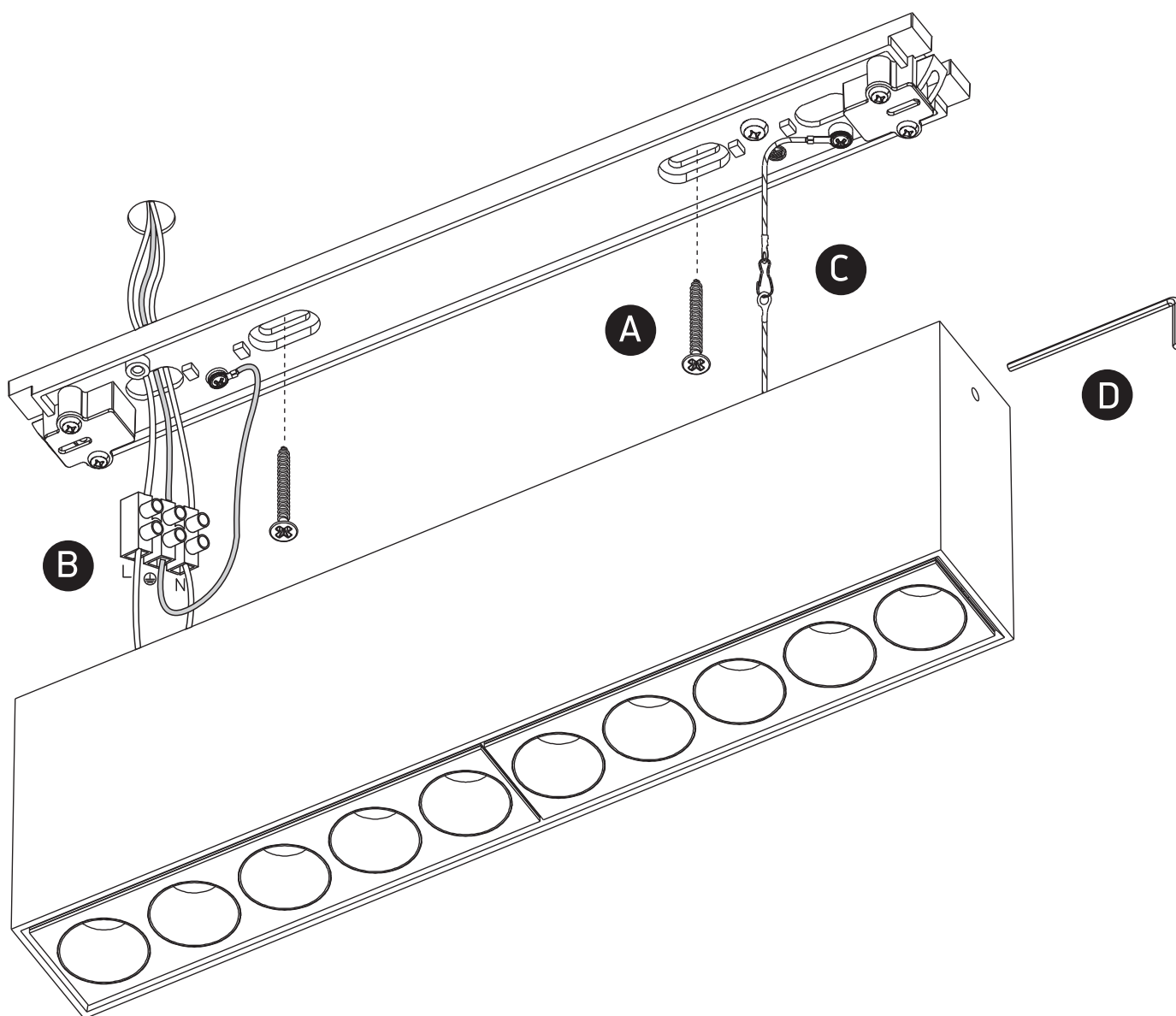
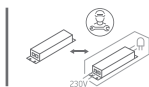
37mm

273mm

83mm

one
LIGHT

230V | SMD 3535 | 24W | IP20 | Aluminium
Complete with 700mA driver.



Warnings:

1. Make sure that the product is installed properly before connecting to electricity.
2. Do not cover the fitting.
3. Maintenance and installation should only be carried out by a professional electrician.