

INSTALLATION MANUAL

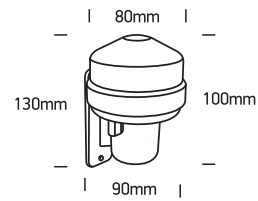
22020 Photocell Day/Night Sensor



100-240V | 1000W | 10A | IP44 | Plastic

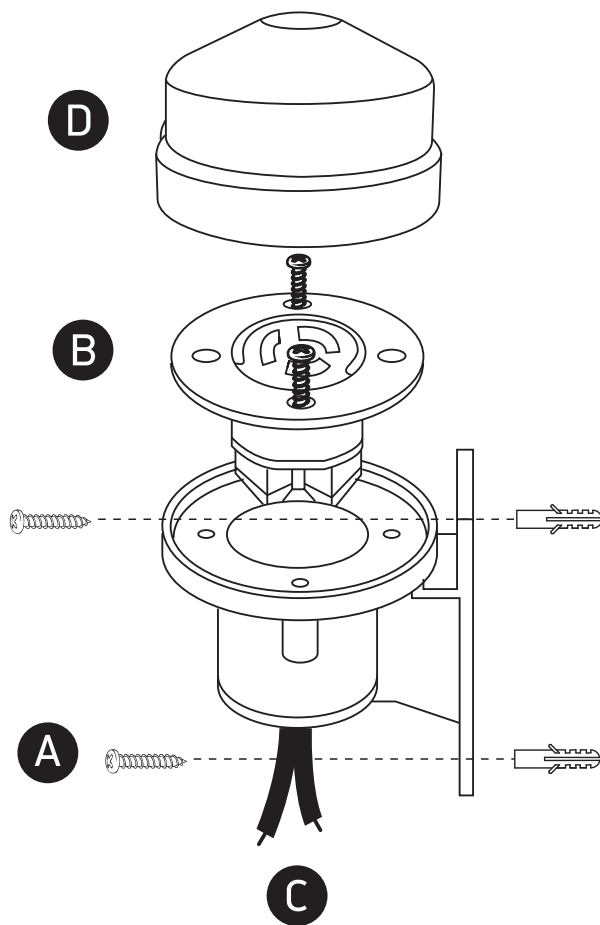


Photocell Day/Night Sensor
Ambient light: <5-15lux (adjustable).
Working Humidity: <93%RH

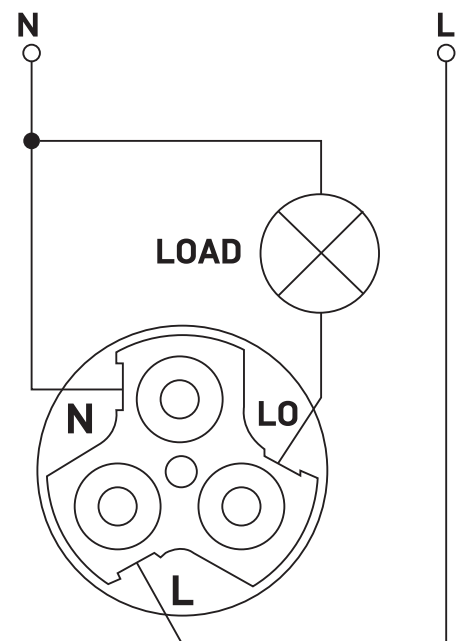


one
LIGHT

INSTALLATION



WIRING DIAGRAM



Automatic day/night operation.

TEST:

- Cover photocell with black cloth to test it.

NOTE:

- There should be no obstruction in front of the photocell affecting natural light.
- There should be no moving objects in front of the photocell.
- Do not install the photocell near any lighting fittings.

Warnings:

1. Make sure that the product is installed properly before connecting to electricity.
2. Do not cover the fitting.
3. Maintenance and installation should only be carried out by a professional electrician.