

INSTALLATION MANUAL

36004

ecolight



DIMMABLE

CE ENEC UKCA

RoHS



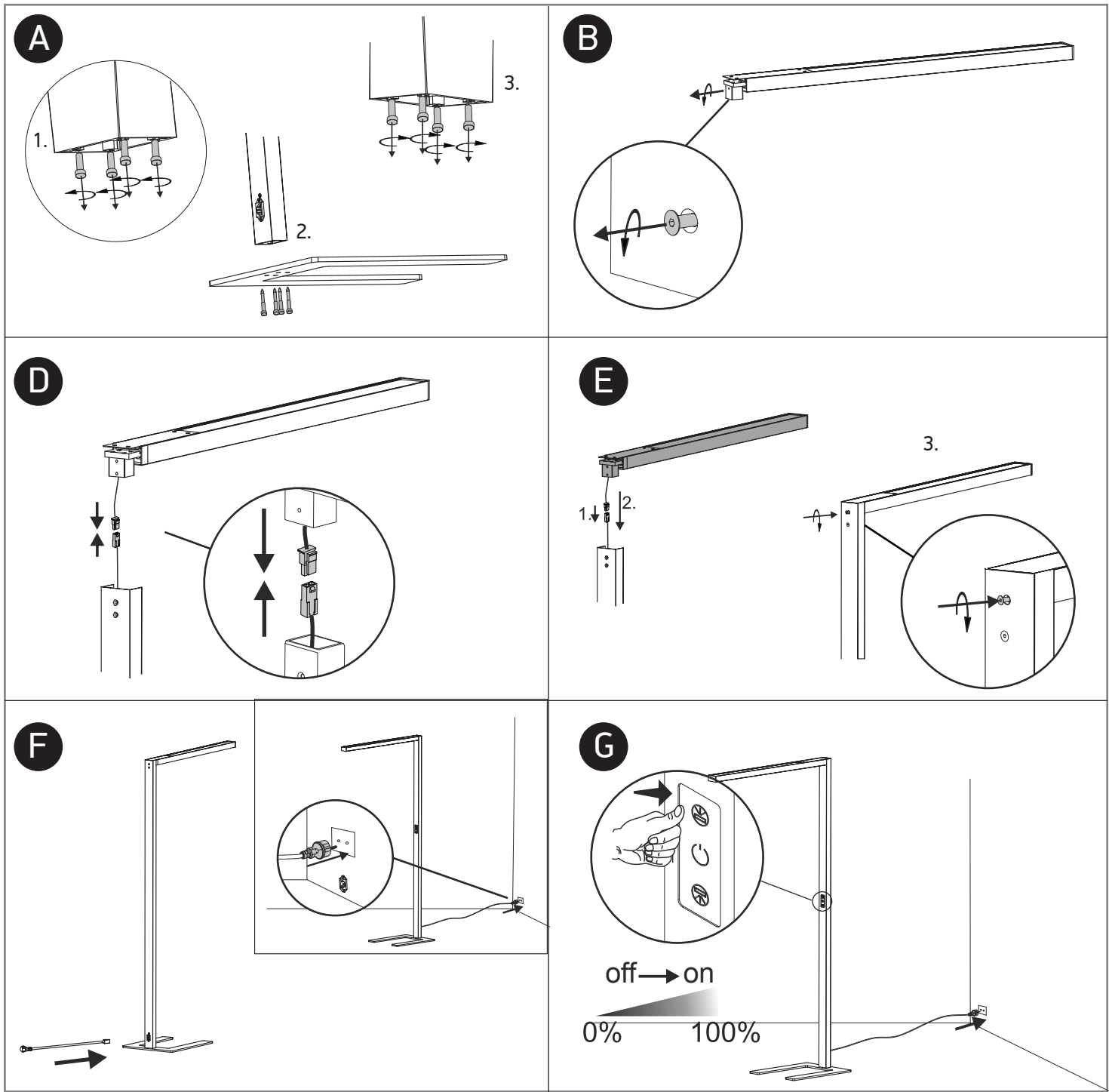
RECYCLABLE

230V | 75W | IP20 | Touch switch | Aluminium

Complete with 700mA + 1200mA drivers

UGR15

80
CRI



Warnings:

1. Make sure that the product is installed properly before connecting to electricity.
2. Do not cover the fitting.
3. Maintenance and installation should only be carried out by a professional electrician.