

INSTALLATION MANUAL

38150A

ecolight

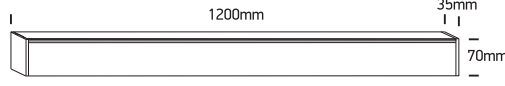
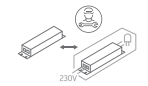


UGR19

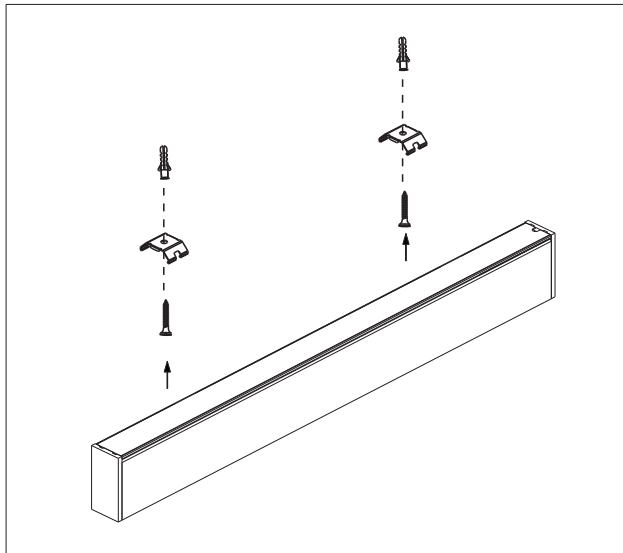
90 CRI



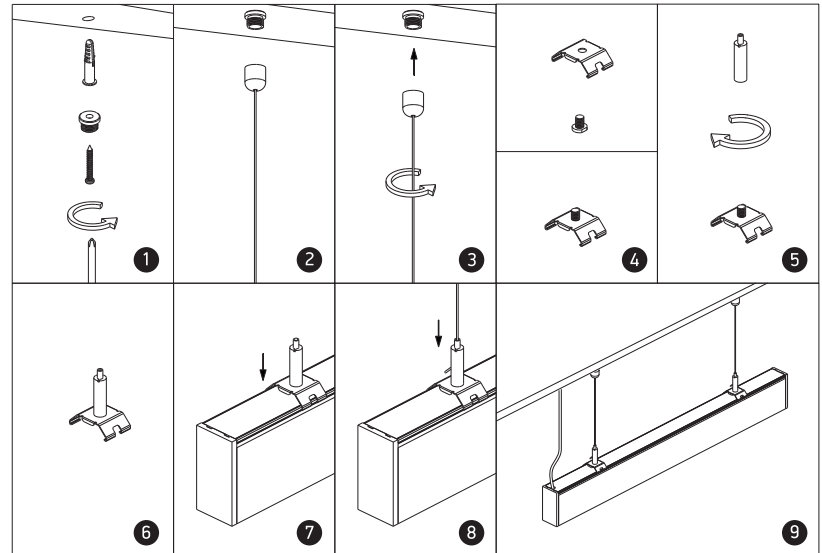
40W | LED | 230V | IP20 | Aluminium
Complete with 1000mA driver.



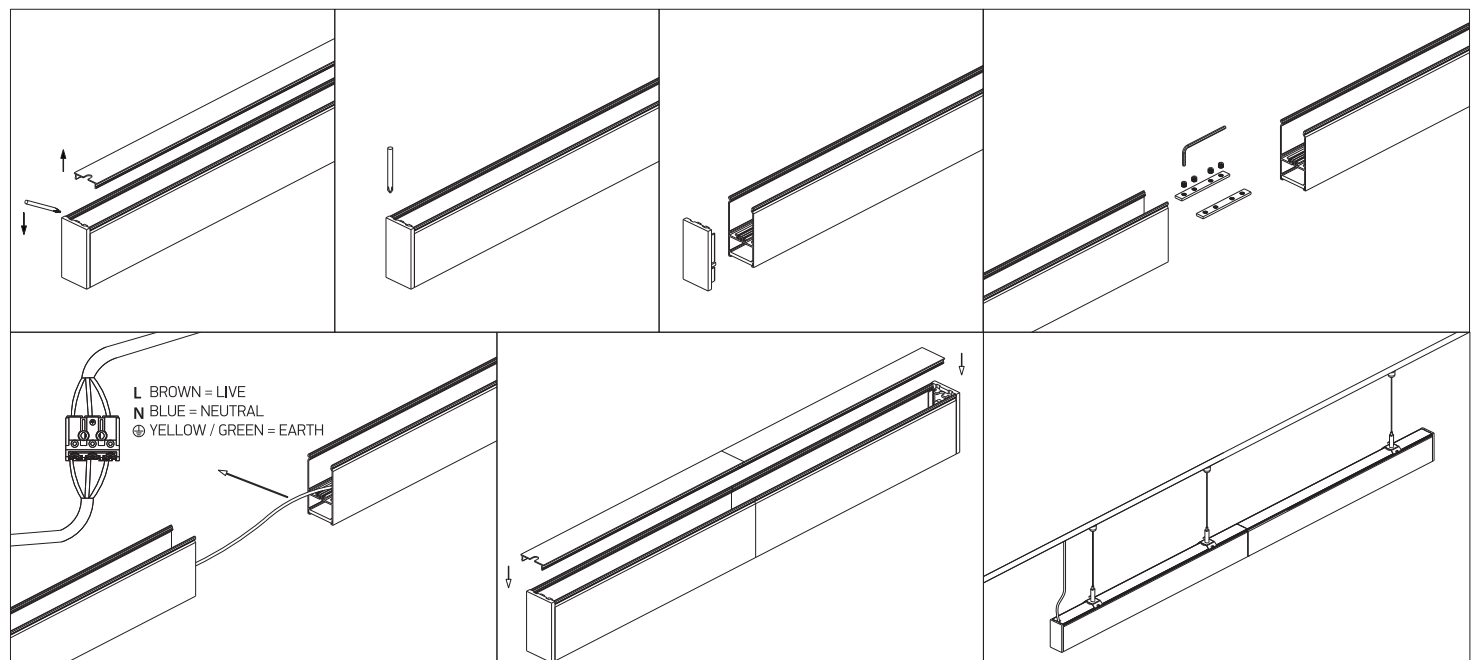
A SURFACE INSTALLATION



B SUSPENDED INSTALLATION



C CONNECTION



L BROWN = LIVE
N BLUE = NEUTRAL
⊕ YELLOW / GREEN = EARTH

Warnings:

1. Make sure that the product is installed properly before connecting to electricity.
2. Do not cover the fitting.
3. Maintenance and installation should only be carried out by a professional electrician.

INSTALLATION MANUAL

38150B

ecolight

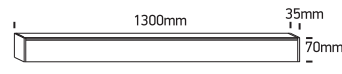
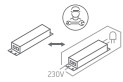


UGR17

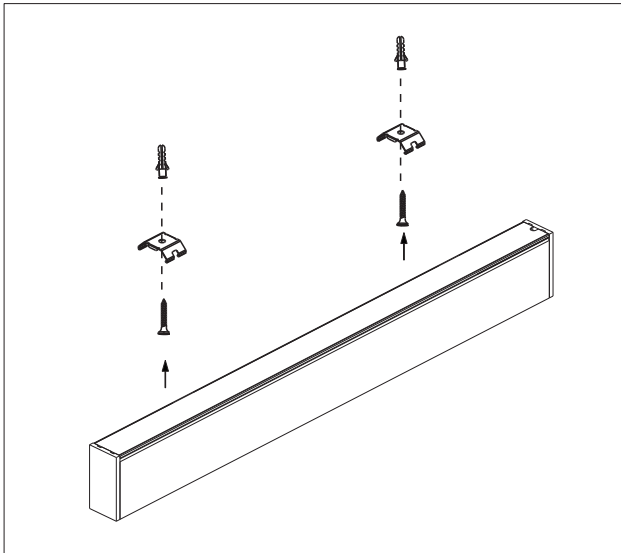
90 CRI



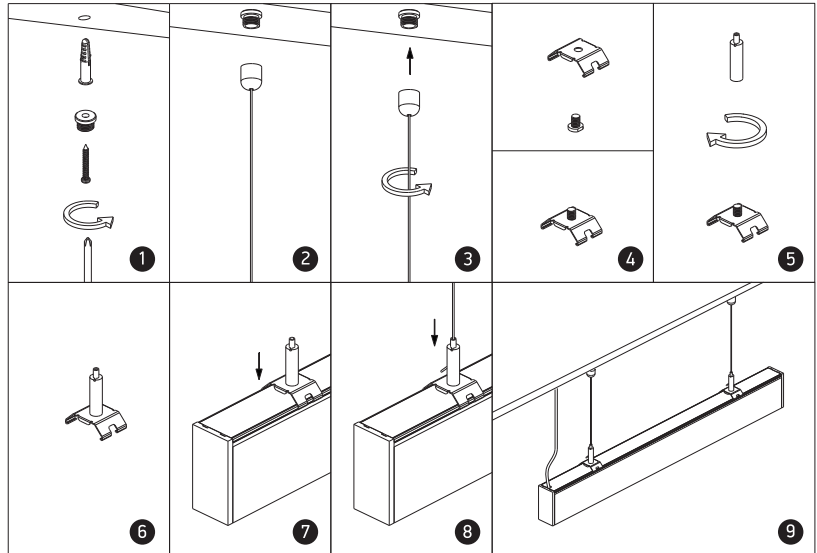
40W | SMD 3030 | 48LEDs | 230V | IP20 | Aluminium
Complete with 1000mA driver / Can be connected in line.



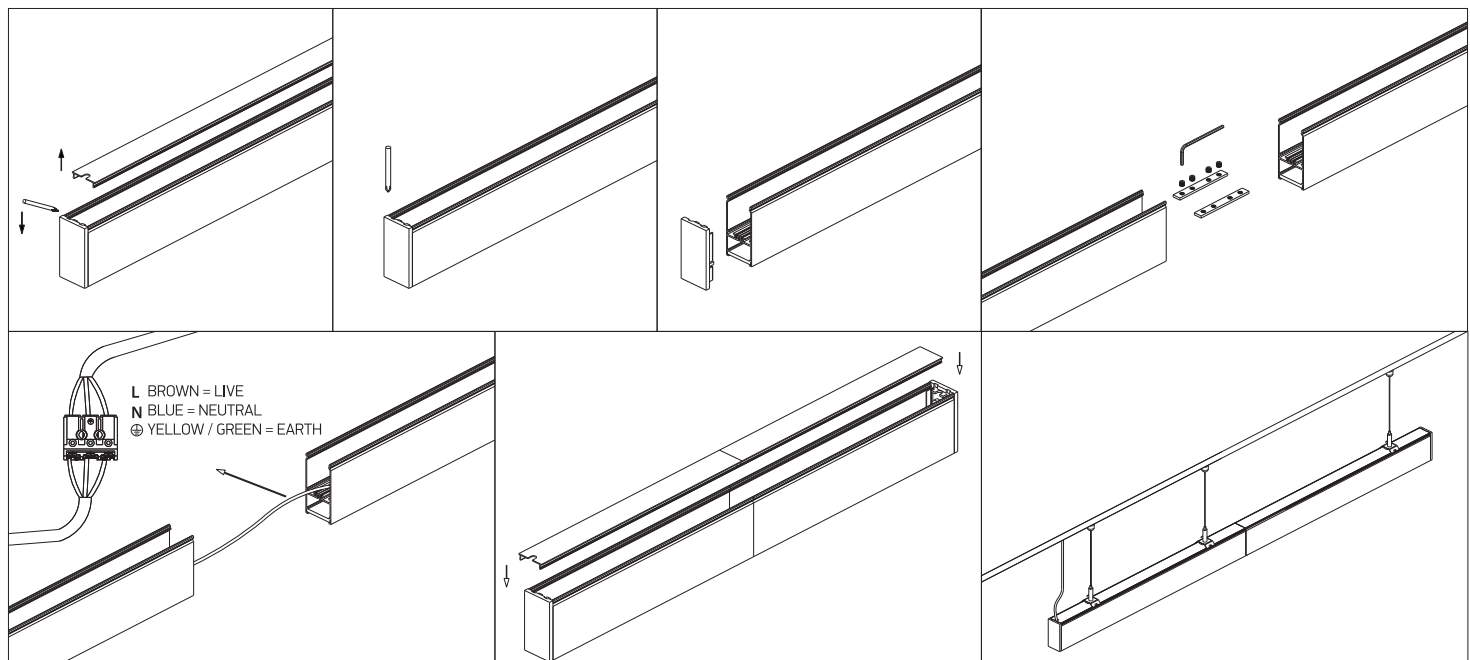
A SURFACE INSTALLATION



B SUSPENDED INSTALLATION



C CONNECTION



Warnings:

1. Make sure that the product is installed properly before connecting to electricity.
2. Do not cover the fitting.
3. Maintenance and installation should only be carried out by a professional electrician.

INSTALLATION MANUAL

38150BU

ecolight

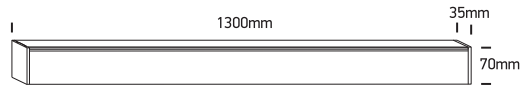


UGR17

90 CRI



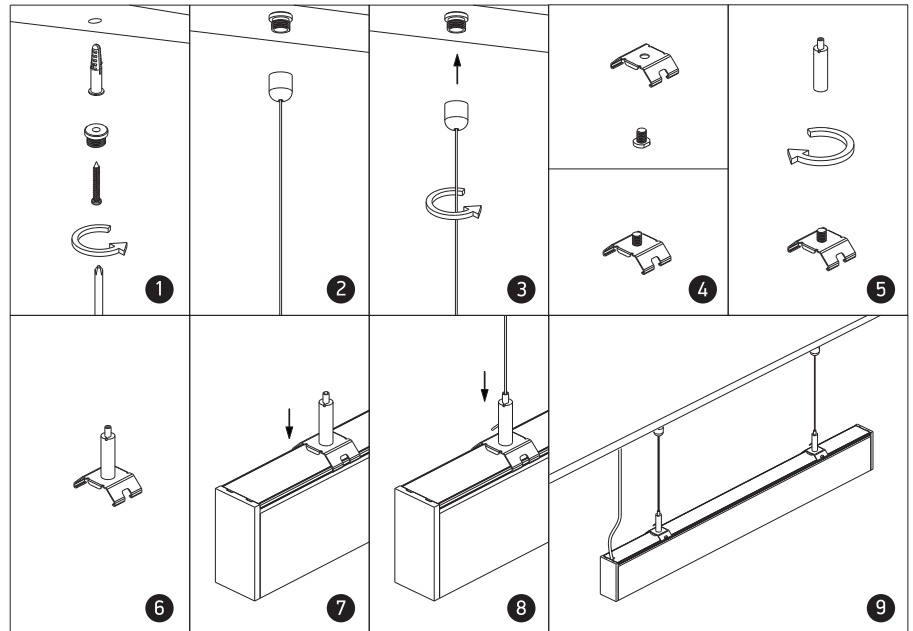
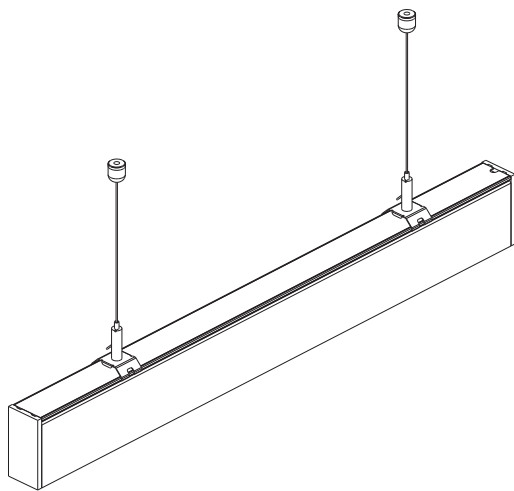
40W + 20W Uplight | LED | 230V | IP20 | Aluminium
Complete with 1000mA + 500mA driver.



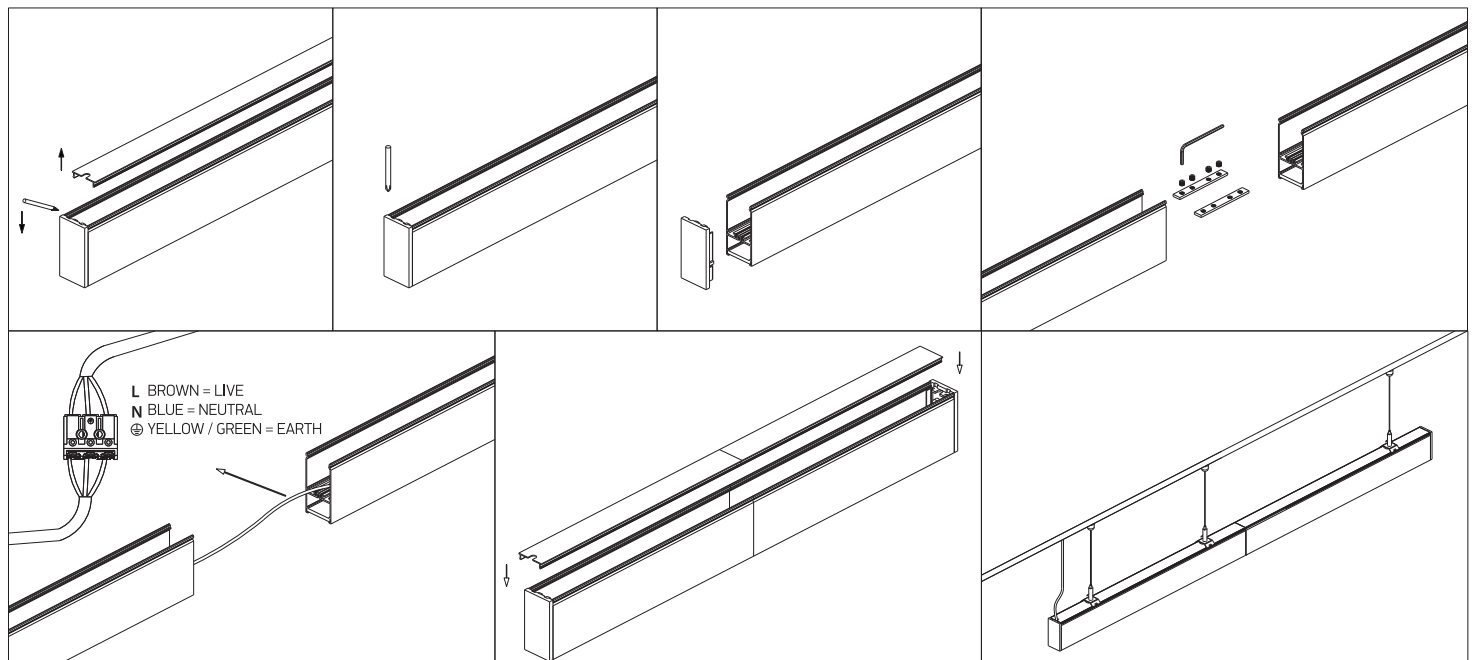
one
LIGHT



A INSTALLATION



B CONNECTION



L BROWN = LIVE
N BLUE = NEUTRAL
⊕ YELLOW / GREEN = EARTH

Warnings:

1. Make sure that the product is installed properly before connecting to electricity.
2. Do not cover the fitting.
3. Maintenance and installation should only be carried out by a professional electrician.

INSTALLATION MANUAL

38150C

ecolight

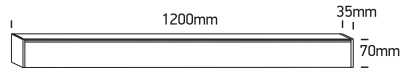
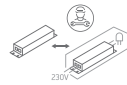


UGR19

90
CRI

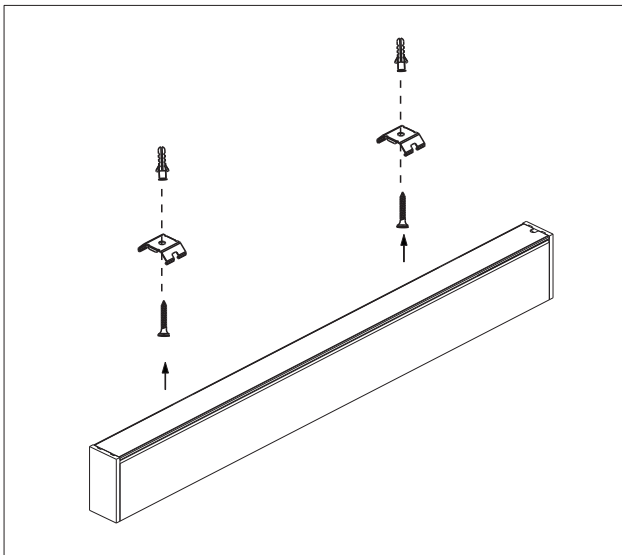


40W | 24LEDs + Diffuser | 230V | IP20 | Aluminium
Complete with 1000mA driver.

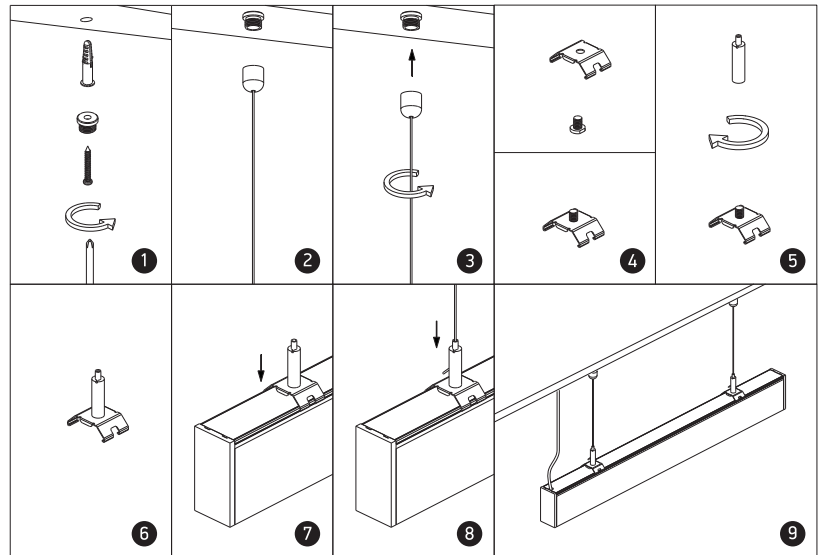


one
LIGHT

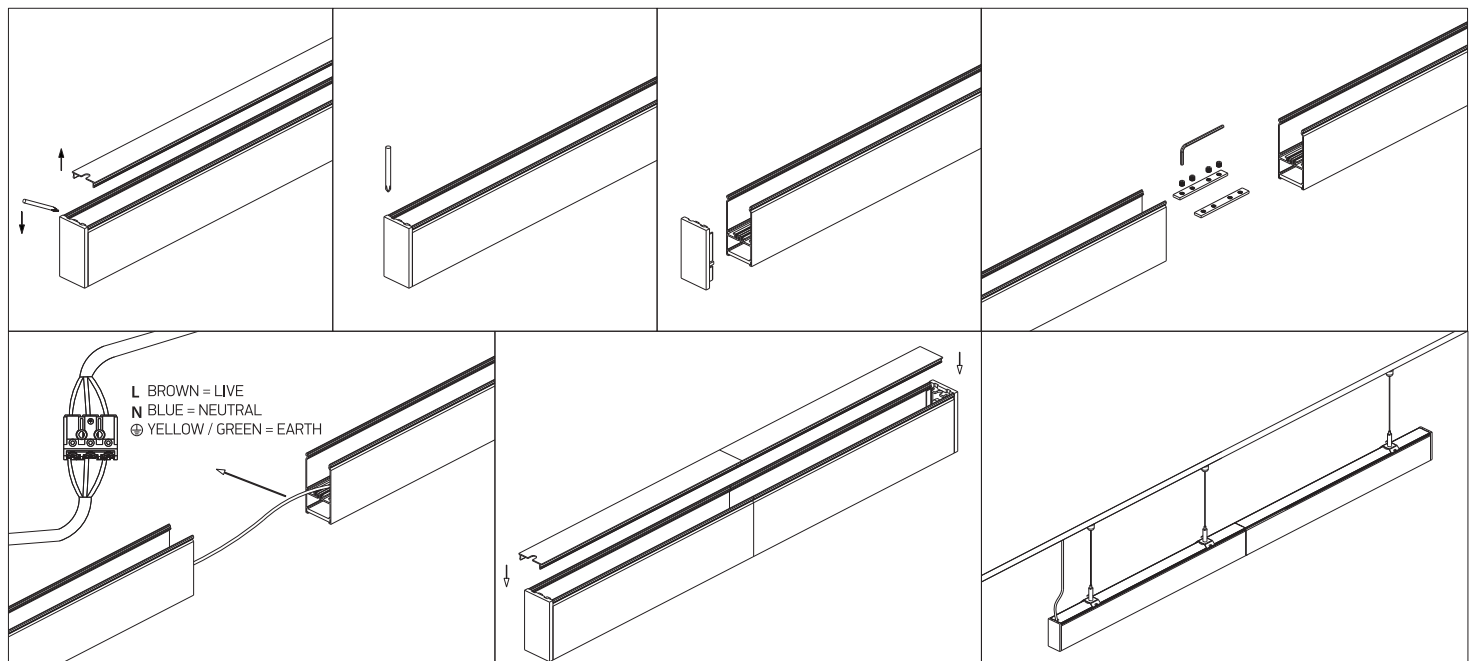
A SURFACE INSTALLATION



B SUSPENDED INSTALLATION



C CONNECTION



Warnings:

1. Make sure that the product is installed properly before connecting to electricity.
2. Do not cover the fitting.
3. Maintenance and installation should only be carried out by a professional electrician.