

# INSTALLATION MANUAL

## 51012H

LED  
BUILT IN



DARK  
LIGHT

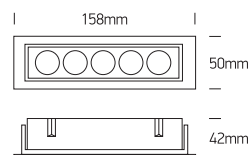


90  
CRI

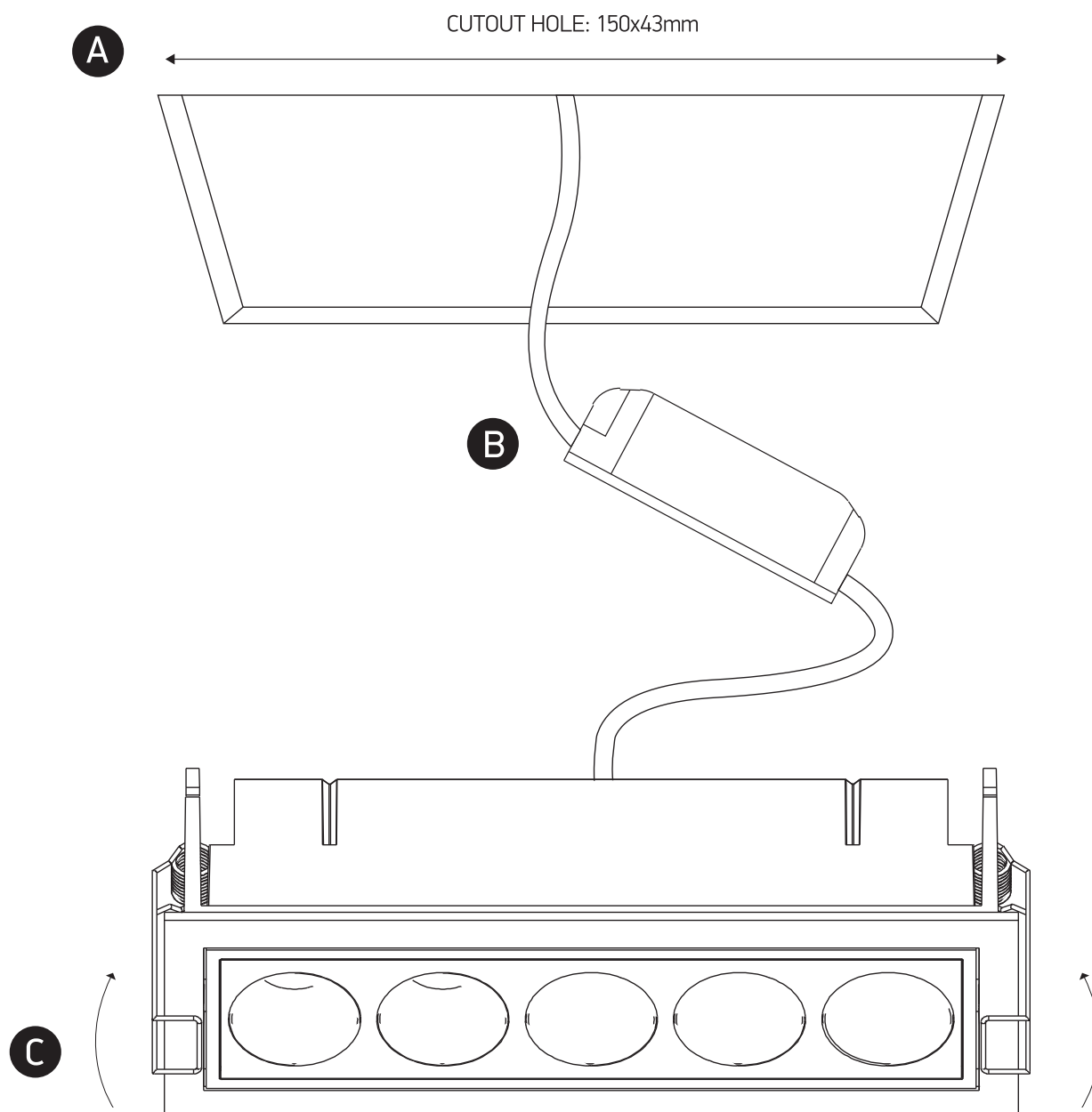
CE ENEC UK CA



230V | SMD 3535 | 12W | IP20 | Adjustable | Aluminium  
Complete with 700mA driver.



one  
LIGHT



### Warnings:

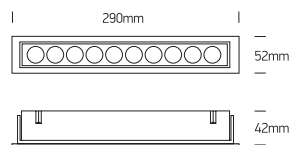
1. Make sure that the product is installed properly before connecting to electricity.
2. Do not cover the fitting.
3. Maintenance and installation should only be carried out by a professional electrician.

# INSTALLATION MANUAL

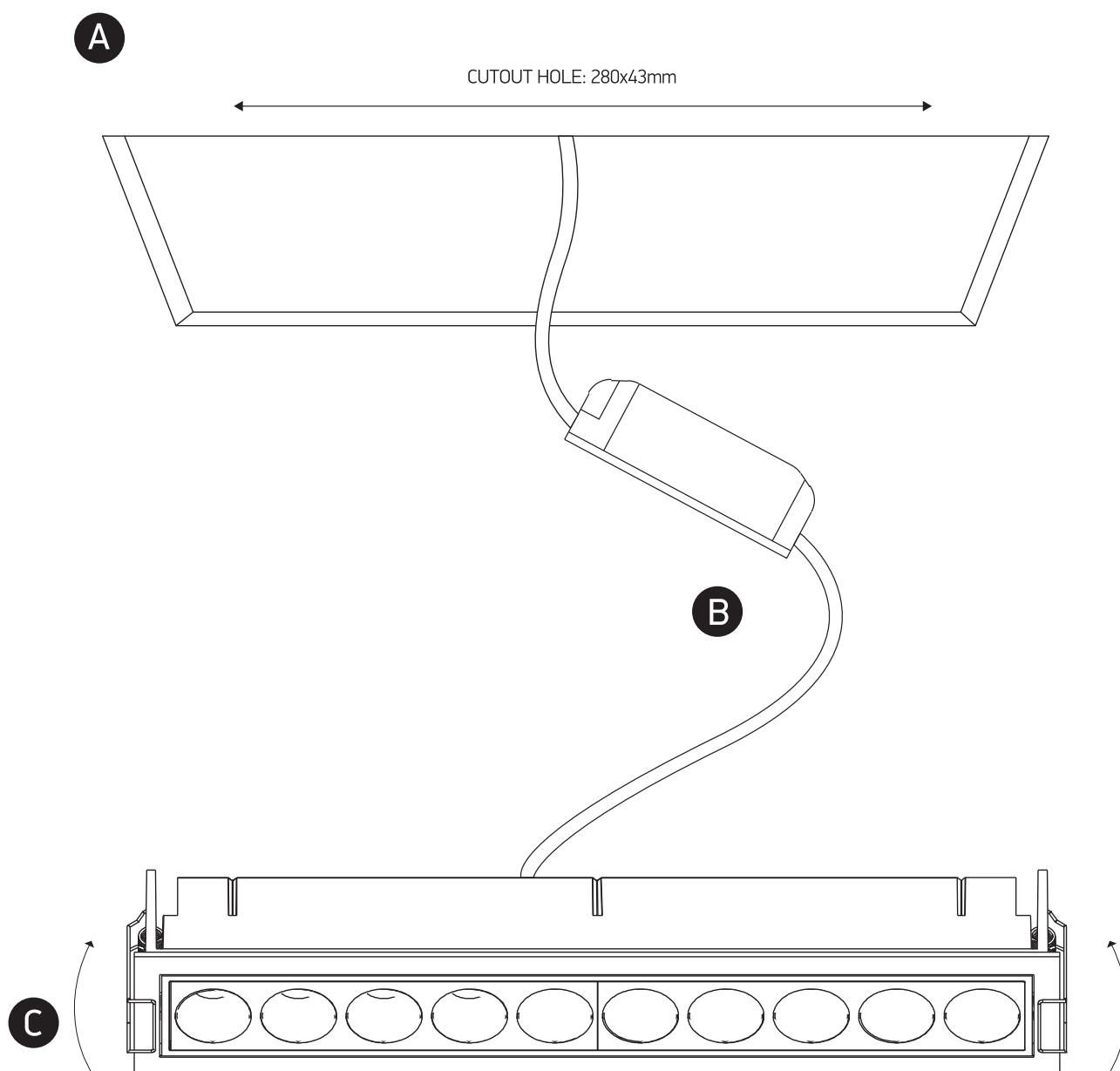
## 51024H

LED BUILT IN   DARK LIGHT  ADJUSTABLE | 90 CRI | CE ENEC UK CA RoHS    ENERGY EFFICIENT

230V | SMD 3535 | 24W | IP20 | Adjustable | Aluminium  
Complete with 700mA driver.



one  
LIGHT



### Warnings:

1. Make sure that the product is installed properly before connecting to electricity.
2. Do not cover the fitting.
3. Maintenance and installation should only be carried out by a professional electrician.