

# INSTALLATION MANUAL

67362A

LED  
BUILT IN

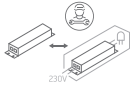


238x238mm



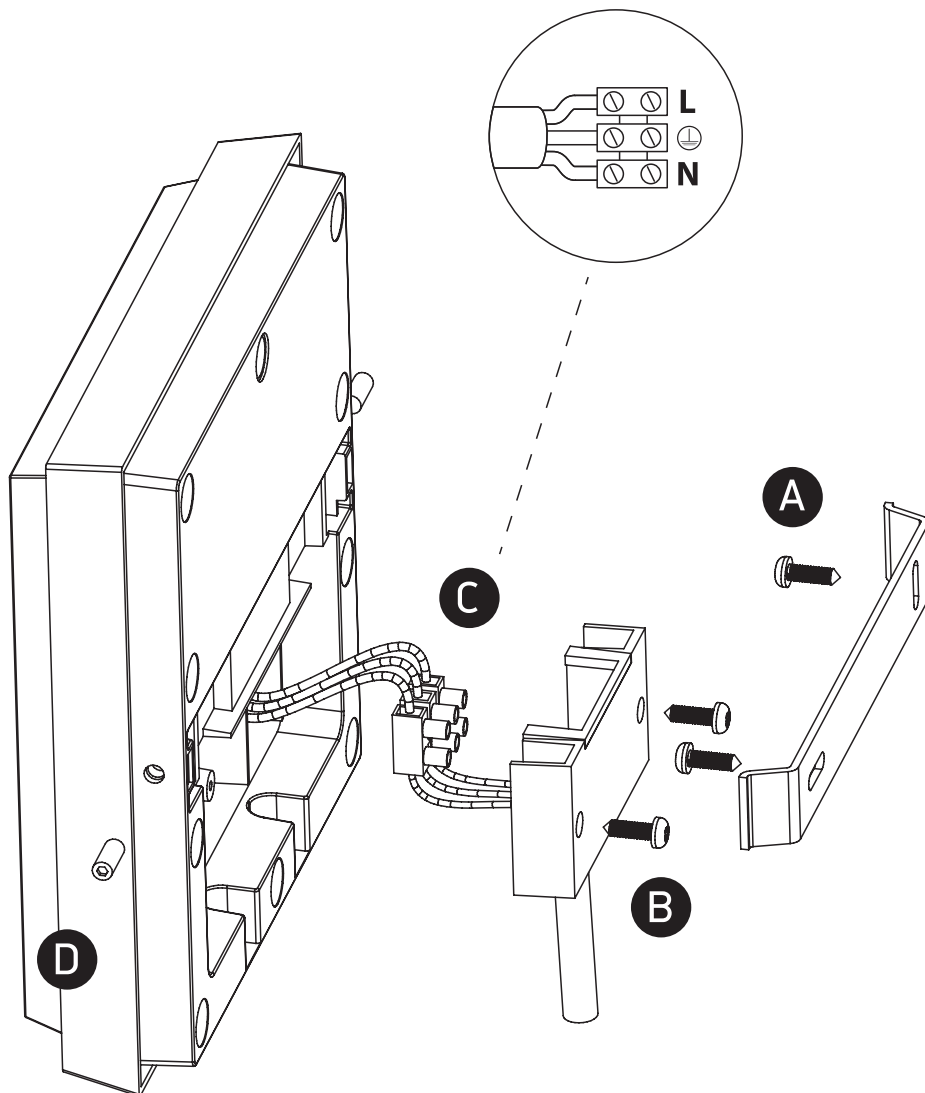
46mm

230V | SMD 2835 | 20W | IP54 | Die cast  
Complete with 500mA driver.



80  
CRI

one  
LIGHT



## Warnings:

1. Make sure that the product is installed properly before connecting to electricity.
2. Do not cover the fitting.
3. Maintenance and installation should only be carried out by a professional electrician.