

# INSTALLATION MANUAL

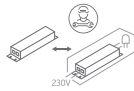
67526A1

LED  
BUILT IN

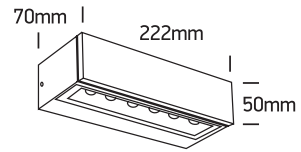


230V | SMD 3030 | 8W | IP65 | Die cast

Complete with 350mA driver.

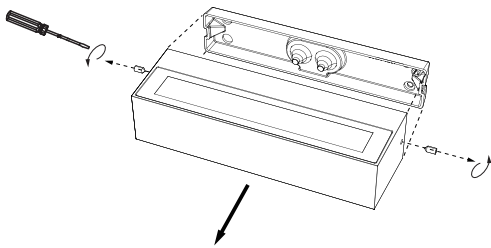


80  
CRI

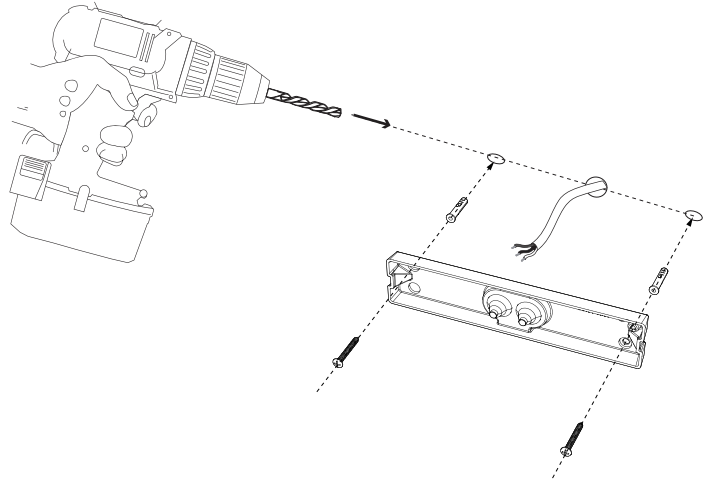


one  
LIGHT

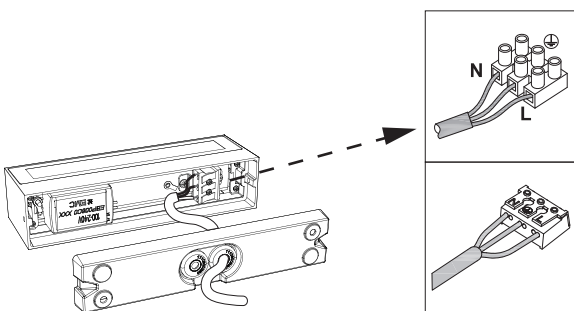
A



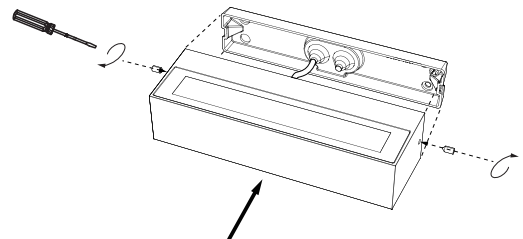
B



C



D



## Warnings:

1. Make sure that the product is installed properly before connecting to electricity.
2. Do not cover the fitting.
3. Maintenance and installation should only be carried out by a professional electrician.