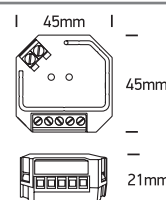


INSTALLATION MANUAL

89104LT

DIMMER controller



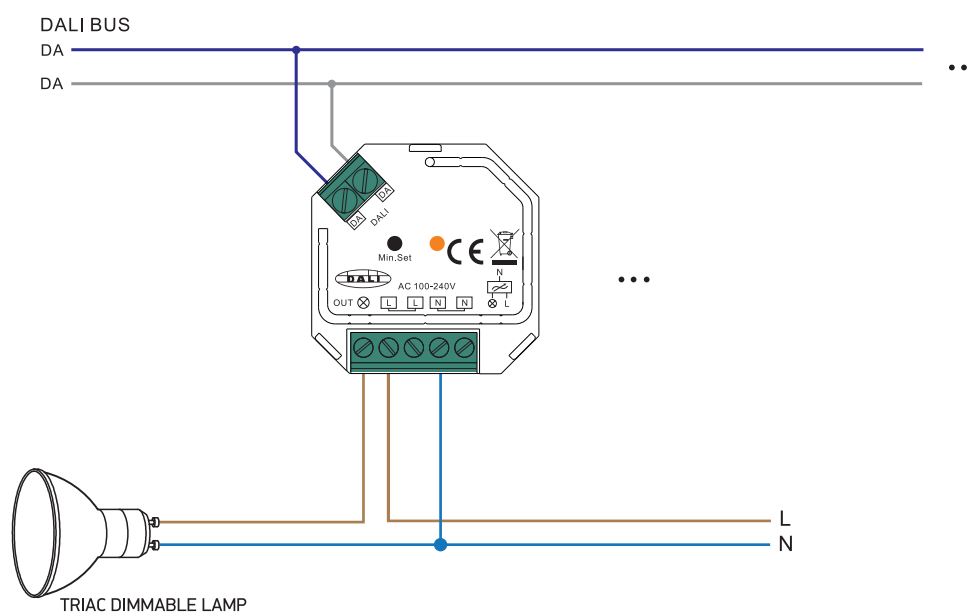
DALI & PUSH to DIM to TRIAC DIMMER | IP20



Specifications

Input Voltage: 100V - 240V
Output Voltage: 100V - 240V
Output Power (Max.): 100W@110V / 200W@240V

DALI wiring diagram



Push to DIM wiring diagram

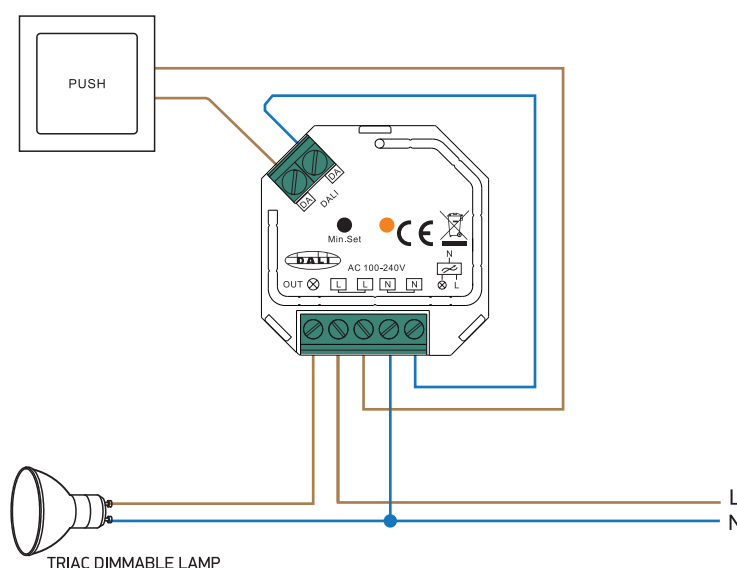
Press and hold to DIM



- **ON/OFF:** short push.
- **Dimming:** press and hold.
- **Dimming up or down:** every time you press and hold, dimming changes direction.
- **Built-in memory:** light returns to the previous dimming level when is switched OFF and ON again, even after power failure.

Synchronization

Up to 64pcs LED drivers can be connected to the same push button. This means there is no need for any additional sync cables in large installations, where many drivers should be controlled by one push button. If more than one driver is connected to the same push button, in order to achieve synchronization, the following action is required:
Switch off the light. Press and hold for more than 15 seconds.



Warnings:

1. Make sure that the product is installed properly before connecting to electricity.
2. Do not cover the fitting.
3. Maintenance and installation should only be carried out by a professional electrician.