

INSTALLATION MANUAL

89302

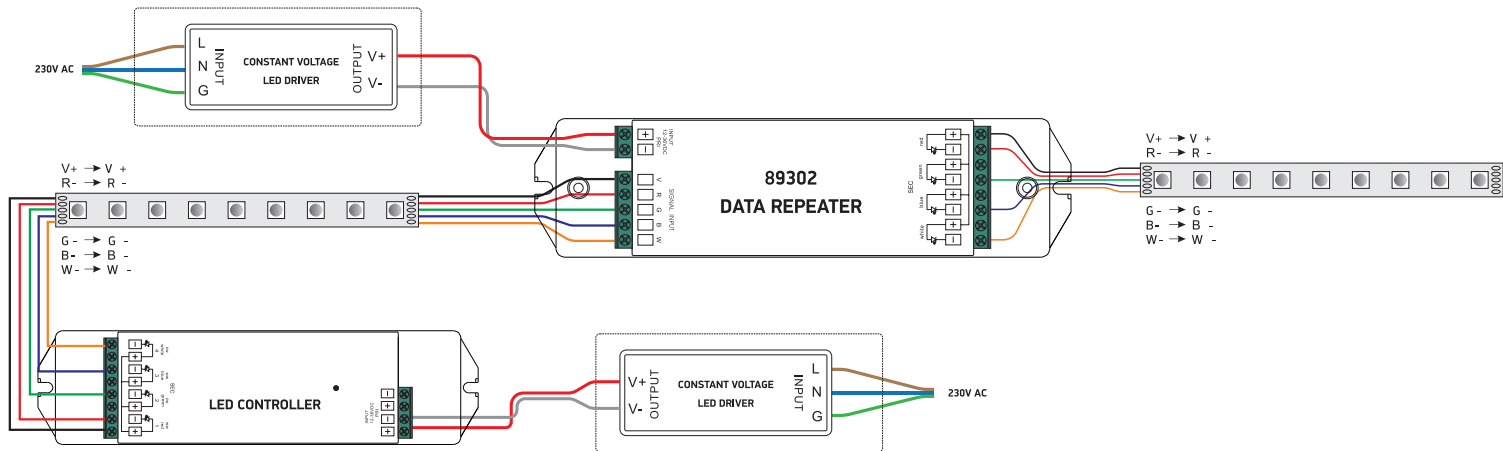


PWM dimming only

Constant voltage RGB+W data repeater | 12V DC | 60W (x4) | 5Amp (x4) | 4 channels | IP20 | 24V DC | 120W (x4) | 5Amp (x4) | 4 channels | IP20



WIRING DIAGRAM



Warnings:

1. Make sure that the product is installed properly before connecting to electricity.
2. Do not cover the fitting.
3. Maintenance and installation should only be carried out by a professional electrician.